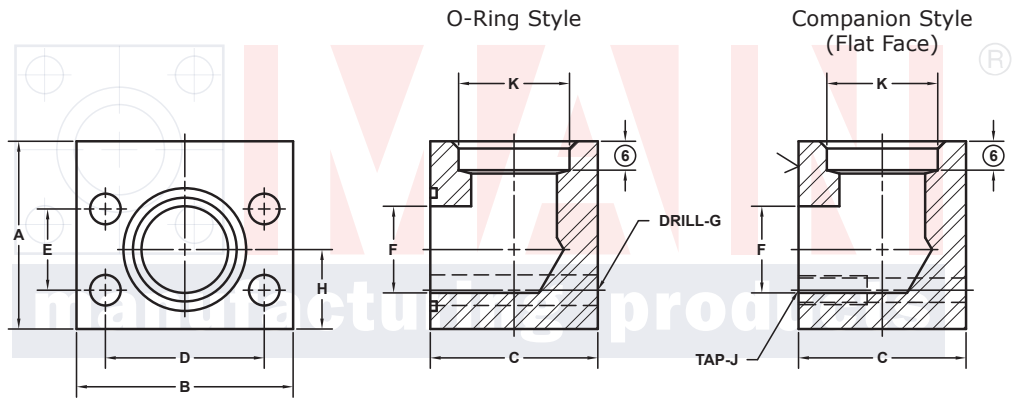
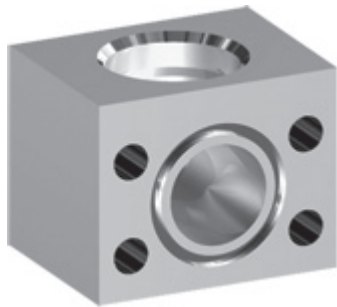


# SOCKET WELD PIPE ELBOW FLANGES (Pg 1/2)

## SAE J518 61 SERIES / ISO6162-1 PATTERN

| FLANGE SIZE | PIPE SIZE | PART NUMBER    | A    | B    | C    | D     | E     | F    | Gmm   | H    | K     | MOUNTING KIT® |            |        | WT  |
|-------------|-----------|----------------|------|------|------|-------|-------|------|-------|------|-------|---------------|------------|--------|-----|
|             |           |                |      |      |      |       |       |      | Jmm   |      |       | PART NO.      | SCREW SIZE | O-RING |     |
| 1/2         | 1/2       | 1125-08-08M8   | 1.75 | 2.12 | 1.44 | 1.500 | .688  | .50  | 8.5   | .75  | .860  | MKM 541       | M8 x 50    | 210    | 1.3 |
|             |           | M8x1.25        |      |      |      |       |       |      | ----- |      |       | ---           |            |        |     |
| 3/4         | 1/2       | 1125-12-08M10  | 2.00 | 2.62 | 1.70 | 1.875 | .875  | .75  | 10.5  | .88  | .860  | MKM 542       | M10 x 60   | 214    | 2.1 |
|             |           | M10x1.5        |      |      |      |       |       |      | ----- |      |       | ---           |            |        |     |
| 3/4         | 3/4       | 1125-12-12M10  | 2.00 | 2.62 | 1.70 | 1.875 | .875  | .75  | 10.5  | .88  | 1.070 | MKM 542       | M10 x 60   | 214    | 2.0 |
|             |           | M10x1.5        |      |      |      |       |       |      | ----- |      |       | ---           |            |        |     |
| 1           | 3/4       | 1125-16-12M10  | 2.25 | 2.82 | 1.94 | 2.062 | 1.031 | 1.00 | 10.5  | 1.00 | 1.070 | MKM 543       | M10 x 65   | 219    | 2.8 |
|             |           | M10x1.5        |      |      |      |       |       |      | ----- |      |       | ---           |            |        |     |
| 1           | 1         | 1125-16-16M10  | 2.25 | 2.82 | 1.94 | 2.062 | 1.031 | 1.00 | 10.5  | 1.00 | 1.335 | MKM 543       | M10 x 65   | 219    | 2.7 |
|             |           | M10x1.5        |      |      |      |       |       |      | ----- |      |       | ---           |            |        |     |
| 1 1/4       | 1         | 1125-20-16M10† | 2.75 | 3.19 | 2.40 | 2.312 | 1.188 | 1.25 | 10.5  | 1.25 | 1.335 | MKM 4532      | M10 x 75   | 222    | 4.9 |
|             |           | M10x1.5        |      |      |      |       |       |      | ----- |      |       | ---           |            |        |     |
| 1 1/4       | 1 1/4     | 1125-20-20M10† | 2.75 | 3.19 | 2.40 | 2.312 | 1.188 | 1.25 | 10.5  | 1.25 | 1.680 | MKM 4532      | M10 x 75   | 222    | 4.8 |
|             |           | M10x1.5        |      |      |      |       |       |      | ----- |      |       | ---           |            |        |     |
| 1 1/4       | 1 1/2     | 1125-20-24M10† | 3.00 | 3.19 | 3.00 | 2.312 | 1.188 | 1.25 | 10.5  | 1.25 | 1.920 | MKM 4597      | M10 x 90   | 222    | 6.0 |
|             |           | M10x1.5        |      |      |      |       |       |      | ----- |      |       | ---           |            |        |     |
| 1 1/2       | 1 1/4     | 1125-24-20M10† | 3.00 | 3.75 | 2.90 | 2.750 | 1.406 | 1.50 | 13.0  | 1.38 | 1.680 | MKM 4533      | M12 x 90   | 225    | 7.4 |
|             |           | M12x1.75       |      |      |      |       |       |      | ----- |      |       | ---           |            |        |     |
| 1 1/2       | 1 1/2     | 1125-24-24M12‡ | 3.00 | 3.75 | 2.90 | 2.750 | 1.406 | 1.50 | 13.0  | 1.38 | 1.920 | MKM 4533      | M12 x 90   | 225    | 7.3 |
|             |           | M12x1.75       |      |      |      |       |       |      | ----- |      |       | ---           |            |        |     |
| 1 1/2       | 2         | 1125-24-32M12‡ | 3.50 | 3.75 | 3.50 | 2.750 | 1.406 | 1.50 | 13.0  | 1.38 | 2.411 | MKM 3521      | M12 x 100  | 225    | 9.8 |
|             |           | M12x1.75       |      |      |      |       |       |      | ----- |      |       | ---           |            |        |     |

MATERIAL:  
Low Carbon Steel



Model 1125 / 1127

Model 1126 / 1128

3181 TRI-PARK DR. GRAND BLANC, MI 48439 800-521-7918 810-953-1380 FAX 810-953-1385 INFO@MAINMFG.COM

## SAE J518 62 SERIES / ISO6162-2 PATTERN

| FLANGE SIZE | PIPE SIZE | PART NUMBER    | A    | B    | C    | D     | E     | F    | Gmm   | H    | K     | MOUNTING KIT® |            |        | WT  |
|-------------|-----------|----------------|------|------|------|-------|-------|------|-------|------|-------|---------------|------------|--------|-----|
|             |           |                |      |      |      |       |       |      | Jmm   |      |       | PART NO.      | SCREW SIZE | O-RING |     |
| 1/2         | 1/2       | 1127-08-08M8   | 2.00 | 2.22 | 1.46 | 1.594 | .718  | .50  | 8.5   | .88  | .860  | MKM 541       | M8 x 50    | 210    | 1.6 |
|             |           | M8x1.25        |      |      |      |       |       |      | ----- |      |       | ---           |            |        |     |
| 3/4         | 1/2       | 1127-12-08M10  | 2.25 | 2.81 | 1.70 | 2.000 | .937  | .75  | 10.5  | 1.00 | .860  | MKM 542       | M10 x 60   | 214    | 2.7 |
|             |           | M10x1.5        |      |      |      |       |       |      | ----- |      |       | ---           |            |        |     |
| 3/4         | 3/4       | 1127-12-12M10  | 2.25 | 2.81 | 1.70 | 2.000 | .937  | .75  | 10.5  | 1.00 | 1.070 | MKM 542       | M10 x 60   | 214    | 2.6 |
|             |           | M10x1.5        |      |      |      |       |       |      | ----- |      |       | ---           |            |        |     |
| 1           | 3/4       | 1127-16-12M12  | 2.50 | 3.19 | 2.21 | 2.250 | 1.093 | 1.00 | 12.5  | 1.12 | 1.070 | MKM 2533      | M12 x 75   | 219    | 4.2 |
|             |           | M12x1.75       |      |      |      |       |       |      | ----- |      |       | ---           |            |        |     |
| 1           | 1         | 1127-16-16M12  | 2.50 | 3.19 | 2.21 | 2.250 | 1.093 | 1.00 | 12.5  | 1.12 | 1.335 | MKM 2533      | M12 x 75   | 219    | 4.1 |
|             |           | M12x1.75       |      |      |      |       |       |      | ----- |      |       | ---           |            |        |     |
| 1 1/4       | 1         | 1127-20-16M12‡ | 3.00 | 3.75 | 2.44 | 2.625 | 1.250 | 1.25 | 13.0  | 1.38 | 1.335 | MKM 578       | M12 x 80   | 222    | 6.5 |
|             |           | M12x1.75       |      |      |      |       |       |      | ----- |      |       | ---           |            |        |     |
| 1 1/4       | 1 1/4     | 1127-20-20M12‡ | 3.00 | 3.75 | 2.44 | 2.625 | 1.250 | 1.25 | 13.0  | 1.38 | 1.680 | MKM 578       | M12 x 80   | 222    | 6.3 |
|             |           | M12x1.75       |      |      |      |       |       |      | ----- |      |       | ---           |            |        |     |
| 1 1/4       | 1 1/2     | 1127-20-24M12‡ | 3.00 | 3.75 | 3.00 | 2.625 | 1.250 | 1.25 | 13.0  | 1.38 | 1.920 | MKM 5551      | M12 x 90   | 222    | 7.6 |
|             |           | M12x1.75       |      |      |      |       |       |      | ----- |      |       | ---           |            |        |     |

① Order Separately

® C'bore Depth by Pipe Size: 1/2" is .38"; 3/4" to 2" is .50"

NOTE: DIMENSIONS ARE IN INCHES UNLESS OTHERWISE NOTED. † Also Available for M12 Bolts ‡ Also Available for M14 Bolts

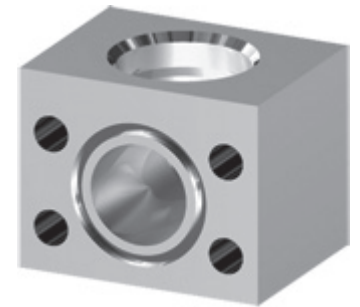
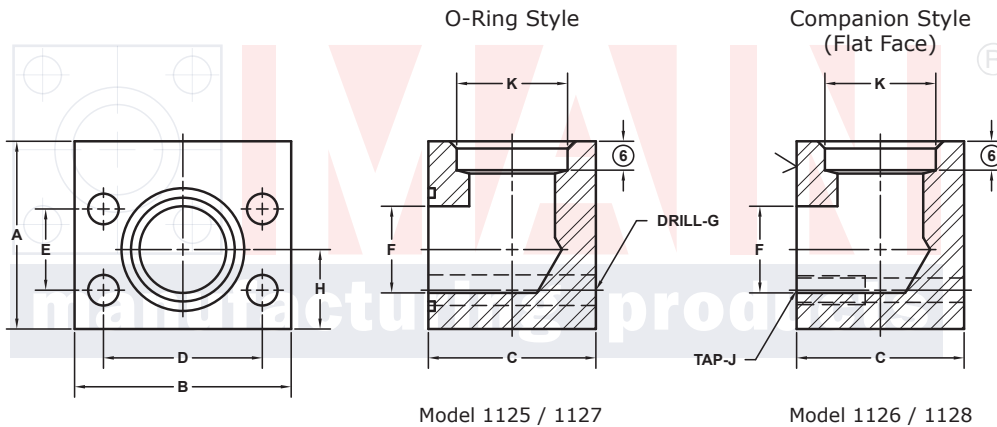
© Copyright MAIN Mfg. 2017

# SOCKET WELD PIPE ELBOW FLANGES (Pg 2/2)

## SAE J518 61 SERIES / ISO6162-1 PATTERN

| FLANGE SIZE        | PIPE SIZE | PART NUMBER    | A    | B    | C    | D     | E     | F    | Gmm   | H    | K     | MOUNTING KIT® |            |        | WT   |
|--------------------|-----------|----------------|------|------|------|-------|-------|------|-------|------|-------|---------------|------------|--------|------|
|                    |           |                |      |      |      |       |       |      | Jmm   |      |       | PART NO.      | SCREW SIZE | O-RING |      |
| 2                  | 1 1/4     | 1125-32-20M12+ | 3.50 | 4.00 | 3.40 | 3.062 | 1.688 | 1.94 | 13.0  | 1.62 | 1.680 | MKM 4534      | M12 x 100  | 228    | 10.4 |
|                    |           | M12x1.75       |      |      |      |       |       |      | ----- |      |       | -----         | ---        |        |      |
| 2                  | 1 1/2     | 1125-32-24M12+ | 3.50 | 4.00 | 3.40 | 3.062 | 1.688 | 1.94 | 13.0  | 1.62 | 1.920 | MKM 4534      | M12 x 100  | 228    | 10.2 |
|                    |           | M12x1.75       |      |      |      |       |       |      | ----- |      |       | -----         | ---        |        |      |
| 2                  | 2         | 1125-32-32M12+ | 3.50 | 4.00 | 3.40 | 3.062 | 1.688 | 1.94 | 13.0  | 1.62 | 2.411 | MKM 4534      | M12 x 100  | 228    | 9.9  |
|                    |           | M12x1.75       |      |      |      |       |       |      | ----- |      |       | -----         | ---        |        |      |
| 2 1/2 <sup>②</sup> | 2         | 1125-40-32M12+ | 4.00 | 4.50 | 3.96 | 3.500 | 2.000 | 2.44 | 13.0  | 2.00 | 2.411 | MKM 4535      | M12 x 120  | 232    | 14.9 |
|                    |           | M12x1.75       |      |      |      |       |       |      | ----- |      |       | -----         | ---        |        |      |
| 2 1/2 <sup>②</sup> | 2 1/2     | 1125-40-40M12+ | 4.00 | 4.50 | 3.96 | 3.500 | 2.000 | 2.44 | 13.0  | 2.00 | 2.911 | MKM 4535      | M12 x 120  | 232    | 13.9 |
|                    |           | M12x1.75       |      |      |      |       |       |      | ----- |      |       | -----         | ---        |        |      |
| 3 <sup>③</sup>     | 2 1/2     | 1125-48-40M16  | 5.00 | 5.31 | 4.96 | 4.188 | 2.438 | 2.94 | 17.0  | 2.25 | 2.911 | MKM 548       | M16 x 150  | 237    | 26.5 |
|                    |           | M16x2          |      |      |      |       |       |      | ----- |      |       | -----         | ---        |        |      |
| 3 <sup>③</sup>     | 3         | 1125-48-48M16  | 5.00 | 5.31 | 4.96 | 4.188 | 2.438 | 2.94 | 17.0  | 2.25 | 3.540 | MKM 548       | M16 x 150  | 237    | 24.9 |
|                    |           | M16x2          |      |      |      |       |       |      | ----- |      |       | -----         | ---        |        |      |
| 3 1/2 <sup>④</sup> | 3         | 1125-56-48M16  | 5.50 | 6.00 | 5.40 | 4.750 | 2.750 | 3.44 | 17.0  | 2.50 | 3.540 | MKM 549       | M16 x 160  | 241    | 36.8 |
|                    |           | M16x2          |      |      |      |       |       |      | ----- |      |       | -----         | ---        |        |      |
| 3 1/2 <sup>④</sup> | 3 1/2     | 1125-56-56M16  | 5.50 | 6.00 | 5.40 | 4.750 | 2.750 | 3.44 | 17.0  | 2.50 | 4.045 | MKM 549       | M16 x 160  | 241    | 34.8 |
|                    |           | M16x2          |      |      |      |       |       |      | ----- |      |       | -----         | ---        |        |      |
| 4 <sup>④</sup>     | 4         | 1125-64-64M16  | 6.00 | 6.38 | 5.96 | 5.125 | 3.062 | 3.94 | 17.0  | 2.75 | 4.550 | MKM 550       | M16 x 180  | 245    | 41.9 |
|                    |           | M16x2          |      |      |      |       |       |      | ----- |      |       | -----         | ---        |        |      |
| 5 <sup>④</sup>     | 5         | 1125-80-80M16  | 7.00 | 7.25 | 6.90 | 6.000 | 3.625 | 4.94 | 17.0  | 3.38 | 5.635 | MKM 1569      | M16 x 200  | 253    | 60.9 |
|                    |           | M16x2          |      |      |      |       |       |      | ----- |      |       | -----         | ---        |        |      |

MATERIAL:  
Low Carbon Steel



3181 TRI-PARK DR. GRAND BLANC, MI 48439 800-521-7918 810-953-1380 FAX 810-953-1385 INFO@MAINMFG.COM

## SAE J518 62 SERIES / ISO6162-2 PATTERN

| FLANGE SIZE | PIPE SIZE | PART NUMBER   | A    | B    | C    | D     | E     | F    | Gmm   | H    | K     | MOUNTING KIT® |            |        | WT   |
|-------------|-----------|---------------|------|------|------|-------|-------|------|-------|------|-------|---------------|------------|--------|------|
|             |           |               |      |      |      |       |       |      | Jmm   |      |       | PART NO.      | SCREW SIZE | O-RING |      |
| 1 1/2       | 1 1/4     | 1127-24-20M16 | 3.50 | 4.50 | 2.96 | 3.125 | 1.437 | 1.50 | 17.0  | 1.62 | 1.680 | MKM 553       | M16 x 100  | 225    | 11.0 |
|             |           | M16x2         |      |      |      |       |       |      | ----- |      |       | -----         | ---        |        |      |
| 1 1/2       | 1 1/2     | 1127-24-24M16 | 3.50 | 4.50 | 2.96 | 3.125 | 1.437 | 1.50 | 17.0  | 1.62 | 1.920 | MKM 553       | M16 x 100  | 225    | 10.7 |
|             |           | M16x2         |      |      |      |       |       |      | ----- |      |       | -----         | ---        |        |      |
| 1 1/2       | 2         | 1127-24-32M16 | 3.50 | 4.50 | 3.50 | 3.125 | 1.437 | 1.50 | 17.0  | 1.62 | 2.411 | MKM 1598      | M16 x 120  | 225    | 12.2 |
|             |           | M16x2         |      |      |      |       |       |      | ----- |      |       | -----         | ---        |        |      |
| 2           | 1 1/2     | 1127-32-24M20 | 4.00 | 5.25 | 3.46 | 3.812 | 1.750 | 1.94 | 21.0  | 2.00 | 1.920 | MKM 554       | M20 x 120  | 228    | 16.5 |
|             |           | M20x2.5       |      |      |      |       |       |      | ----- |      |       | -----         | ---        |        |      |
| 2           | 2         | 1127-32-32M20 | 4.00 | 5.25 | 3.46 | 3.812 | 1.750 | 1.94 | 21.0  | 2.00 | 2.411 | MKM 554       | M20 x 120  | 228    | 15.9 |
|             |           | M20x2.5       |      |      |      |       |       |      | ----- |      |       | -----         | ---        |        |      |
| 2 1/2       | 2         | 1127-40-32M24 | 5.50 | 6.88 | 4.50 | 4.875 | 2.312 | 2.44 | 25.5  | 2.50 | 2.411 | MKM 2557      | M24 x 150  | 232    | 40.0 |
|             |           | M24x3         |      |      |      |       |       |      | ----- |      |       | -----         | ---        |        |      |
| 2 1/2       | 2 1/2     | 1127-40-40M24 | 5.50 | 6.88 | 4.50 | 4.875 | 2.312 | 2.44 | 25.5  | 2.50 | 2.911 | MKM 2557      | M24 x 150  | 232    | 38.6 |
|             |           | M24x3         |      |      |      |       |       |      | ----- |      |       | -----         | ---        |        |      |
| 3           | 3         | 1127-48-48M30 | 6.00 | 8.50 | 5.00 | 6.000 | 2.812 | 2.94 | 32.0  | 3.00 | 3.540 | MKM 556       | M30 x 180  | 237    | 56.5 |
|             |           | M30x3.5       |      |      |      |       |       |      | ----- |      |       | -----         | ---        |        |      |

① Order Separately      ② 2500 PSI Max      ③ 2000 PSI Max      ④ 500 PSI Max

⑥ C'bore Depth by Pipe Size: 1 1/4" to 2 1/2" is .50" (2 1/2" 62 Series is .62"); 3" to 5" is .62"

NOTE: DIMENSIONS ARE IN INCHES UNLESS OTHERWISE NOTED. + Also Available for M12 Bolts    † Also Available for M14 Bolts

© Copyright MAIN Mfg. 2017