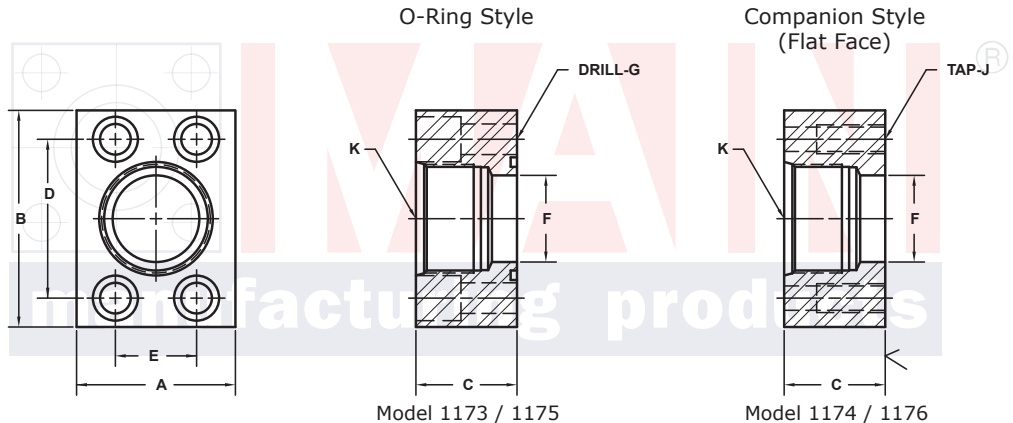
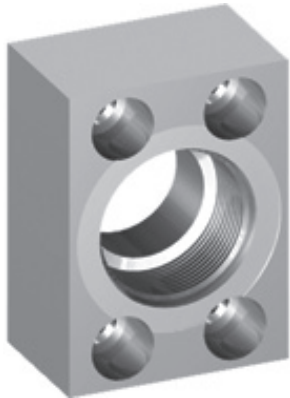


# SAE J1926 THREADED IN-LINE FLANGES (Pg 1/2)

## SAE J518 61 SERIES / ISO6162-1 PATTERN

FLANGE SIZE	ORB	PART NUMBER	A	B	C	D	E	F	Gmm	K	MOUNTING KIT®			WT
									Jmm		PART NO.	SCREW SIZE	O-RING	
1/2	-4	1173-08-04M8	1.50	2.12	1.25	1.500	.688	.37	8.5	7/16-20	MKM 501	M8 x 30	210	1.0
		1174-08-04M8							-----		-----	---		
1/2	-6	1173-08-06M8	1.50	2.12	1.25	1.500	.688	12.5	8.5	9/16-18	MKM 501	M8 x 30	210	1.0
		1174-08-06M8							-----		-----	---		
1/2	-8	1173-08-08M8	1.50	2.12	1.25	1.500	.688	.50	8.5	3/4-16	MKM 501	M8 x 30	210	.9
		1174-08-08M8							-----		-----	---		
3/4	-8	1173-12-08M10	1.75	2.62	1.50	1.875	.875	.66	10.5	3/4-16	MKM 1525	M10 x 35	214	1.6
		1174-12-08M10							-----		-----	---		
3/4	-10	1173-12-10M10	1.75	2.62	1.50	1.875	.875	.50	10.5	7/8-14	MKM 1525	M10 x 35	214	1.5
		1174-12-10M10							-----		-----	---		
3/4	-12	1173-12-12M10	1.75	2.62	1.50	1.875	.875	.75	10.5	1 1/16-12	MKM 1525	M10 x 35	214	1.4
		1174-12-12M10							-----		-----	---		
3/4	-16	-----	2.00	2.62	2.50	1.875	.875	.75	-----	1 5/16-12	-----	-----	---	3.0
		1174-12-16M10							-----		-----	---		
1	-12	1173-16-12M10	2.00	2.82	1.50	2.062	1.031	.94	10.5	1 1/16-12	MKM 1542	M10 x 35	219	1.9
		1174-16-12M10							-----		-----	---		
1	-14	1173-16-14M10	2.00	2.82	1.50	2.062	1.031	.75	10.5	1 3/16-12	MKM 1542	M10 x 35	219	1.8
		1174-16-14M10							-----		-----	---		
1	-16	1173-16-16M10	2.00	2.82	1.50	2.062	1.031	1.00	10.5	1 5/16-12	MKM 1542	M10 x 35	219	1.7
		1174-16-16M10							-----		-----	---		
1	-20	-----	2.50	3.00	3.00	2.062	1.031	1.00	-----	1 5/8-12	-----	-----	---	5.2
		1174-16-20M10							-----		-----	---		

MATERIAL:  
Low Carbon Steel<sup>®</sup>



Model 1173 / 1175

Model 1174 / 1176

3181 TRI-PARK DR. GRAND BLANC, MI 48439 800-521-7918 810-953-1380 FAX 810-953-1385 INFO@MAINMFG.COM

## SAE J518 62 SERIES / ISO6162-2 PATTERN

FLANGE SIZE	ORB	PART NUMBER	A	B	C	D	E	F	Gmm	K	MOUNTING KIT®			WT
									Jmm		PART NO.	SCREW SIZE	O-RING	
1/2	-6	1175-08-06M8	1.75	2.22	1.25	1.594	.718	12.5	8.5	9/16-18	MKM 501	M8 x 30	210	1.2
		1176-08-06M8							-----		-----	---		
1/2	-8	1175-08-08M8	1.75	2.22	1.25	1.594	.718	.50	8.5	3/4-16	MKM 501	M8 x 30	210	1.1
		1176-08-08M8							-----		-----	---		
3/4	-8	1175-12-08M10	2.00	2.81	1.50	2.000	.937	.66	10.5	3/4-16	MKM 1525	M10 x 35	214	2.0
		1176-12-08M10							-----		-----	---		
3/4	-10	1175-12-10M10	2.00	2.81	1.50	2.000	.937	.50	10.5	7/8-14	MKM 1525	M10 x 35	214	1.9
		1176-12-10M10							-----		-----	---		
3/4	-12	1175-12-12M10	2.00	2.81	1.50	2.000	.937	.75	10.5	1 1/16-12	MKM 1525	M10 x 35	214	1.8
		1176-12-12M10							-----		-----	---		
1	-12	1175-16-12M12	2.25	3.19	1.50	2.250	1.093	.94	12.5	1 1/16-12	MKM 1529	M12 x 40	219	2.5
		1176-16-12M12							-----		-----	---		
1	-14	1175-16-14M12	2.25	3.19	1.50	2.250	1.093	.75	12.5	1 3/16-12	MKM 1529	M12 x 40	219	2.4
		1176-16-14M12							-----		-----	---		
1	-16	1175-16-16M12	2.25	3.19	1.50	2.250	1.093	1.00	12.5	1 5/16-12	MKM 1529	M12 x 40	219	2.3
		1176-16-16M12							-----		-----	---		

① Order Separately

® May Contain Lead

NOTE: The Pressure Rating of the Assembly Should NOT Exceed the Lower of the Flange Pad or the Fitting. Check the Fitting Manufacturer for Details.

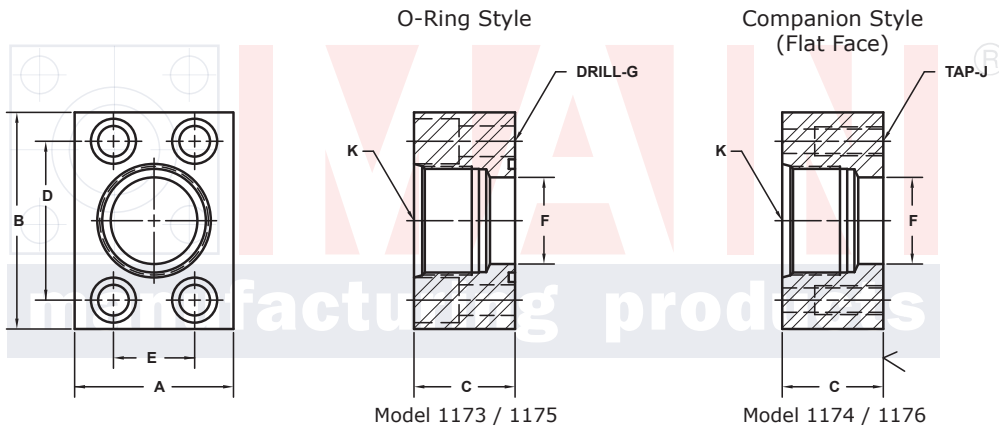
NOTE: DIMENSIONS ARE IN INCHES UNLESS OTHERWISE NOTED. † Also Available for M12 Bolts ‡ Also Available for M14 Bolts

# SAE J1926 THREADED IN-LINE FLANGES (Pg 2/2)

## SAE J518 61 SERIES / ISO6162-1 PATTERN

FLANGE SIZE	ORB	PART NUMBER	A	B	C	D	E	F	Gmm	K	MOUNTING KIT <sup>①</sup>			WT
									Jmm		PART NO.	SCREW SIZE	O-RING	
1 1/4	-16	1173-20-16M10†	2.50	3.19	1.50	2.312	1.188	1.20	10.5	1 5/16-12	MKM 4520	M10 x 35	222	2.6
		1174-20-16M10†							M10x1.5		-----	---		
1 1/4	-20	1173-20-20M10†	2.50	3.19	1.50	2.312	1.188	1.25	10.5	1 5/8-12	MKM 4520	M10 x 35	222	2.3
		1174-20-20M10†							M10x1.5		-----	---		
1 1/4	-24	-----	3.00	3.19	3.00	2.312	1.188	1.25	----	1 7/8-12	-----	-----	---	6.4
		1174-20-24M10†							M10x1.5		-----	---		
1 1/2	-20	1173-24-20M12‡	2.75	3.75	1.75	2.750	1.406	1.50	13.0	1 5/8-12	MKM 2599	M12 x 45	225	3.8
		1174-24-20M12‡							M12x1.75		-----	---		
1 1/2	-24	1173-24-24M12‡	2.75	3.75	1.75	2.750	1.406	1.50	13.0	1 7/8-12	MKM 2599	M12 x 45	225	3.5
		1174-24-24M12‡							M12x1.75		-----	---		
1 1/2	-32	-----	3.50	3.75	3.50	2.750	1.406	1.50	----	2 1/2-12	-----	-----	---	9.9
		1174-24-32M12‡							M12x1.75		-----	---		
2	-20	1173-32-20M12‡	3.25	4.00	1.75	3.062	1.688	1.50	13.0	1 5/8-12	MKM 4513	M12 x 45	228	5.2
		1174-32-20M12‡							M12x1.75		-----	---		
2	-24	1173-32-24M12‡	3.25	4.00	1.75	3.062	1.688	1.75	13.0	1 7/8-12	MKM 4513	M12 x 45	228	4.8
		1174-32-24M12‡							M12x1.75		-----	---		
2	-32	-----	3.25	4.00	1.75	3.062	1.688	1.94	----	2 1/2-12	-----	-----	---	3.9
		1174-32-32M12‡							M12x1.75		-----	---		
2 1/2 <sup>②</sup>	-24	1173-40-24M12‡	4.00	4.50	1.75	3.500	2.000	1.75	13.0	1 7/8-12	MKM 3562	M12 x 45	232	7.4
		1174-40-24M12‡							M12x1.75		-----	---		
2 1/2 <sup>②</sup>	-32	1173-40-32M12‡	4.00	4.50	1.75	3.500	2.000	2.32	13.0	2 1/2-12	MKM 3562	M12 x 45	232	6.3
		1174-40-32M12‡							M12x1.75		-----	---		

MATERIAL:  
Low Carbon Steel<sup>⑤</sup>



Model 1173 / 1175

Model 1174 / 1176

3181 TRI-PARK DR. GRAND BLANC, MI 48439 800-521-7918 810-953-1380 FAX 810-953-1385 INFO@MAINMFG.COM

## SAE J518 62 SERIES / ISO6162-2 PATTERN

FLANGE SIZE	ORB	PART NUMBER	A	B	C	D	E	F	Gmm	K	MOUNTING KIT <sup>①</sup>			WT
									Jmm		PART NO.	SCREW SIZE	O-RING	
1 1/4	-16	1175-20-16M12‡	3.00	3.75	1.50	2.625	1.250	1.20	13.0	1 5/16-12	MKM 567	M12 x 35	222	4.0
		1176-20-16M12‡							M12x1.75		-----	---		
1 1/4	-20	1175-20-20M12‡	3.00	3.75	1.50	2.625	1.250	1.25	13.0	1 5/8-12	MKM 567	M12 x 35	222	3.7
		1176-20-20M12‡							M12x1.75		-----	---		
1 1/2	-16	1175-24-16M16	3.25	4.50	1.75	3.125	1.437	1.20	17.0	1 5/16-12	MKM 1544	M16 x 45	225	6.1
		1176-24-16M16							M16x2		-----	---		
1 1/2	-20	1175-24-20M16	3.25	4.50	1.75	3.125	1.437	1.50	17.0	1 5/8-12	MKM 1544	M16 x 45	225	5.8
		1176-24-20M16							M16x2		-----	---		
1 1/2	-24	1175-24-24M16	3.25	4.50	1.75	3.125	1.437	1.50	17.0	1 7/8-12	MKM 1544	M16 x 45	225	5.5
		1176-24-24M16							M16x2		-----	---		
2	-20	1175-32-20M20	4.00	5.25	1.75	3.812	1.750	1.50	21.0	1 5/8-12	MKM 563	M20 x 45	228	8.8
		1176-32-20M20							M20x2.5		-----	---		
2	-24	1175-32-24M20	4.00	5.25	1.75	3.812	1.750	1.75	21.0	1 7/8-12	MKM 563	M20 x 45	228	8.4
		1176-32-24M20							M20x2.5		-----	---		
2	-32	1175-32-32M20	4.00	5.25	1.75	3.812	1.750	1.94	21.0	2 1/2-12	MKM 563	M20 x 45	228	7.5
		1176-32-32M20							M20x2.5		-----	---		

① Order Separately

② 2500 PSI Max

⑤ May Contain Lead

NOTE: The Pressure Rating of the Assembly Should NOT Exceed the Lower of the Flange Pad or the Fitting. Check the Fitting Manufacturer for Details.

NOTE: DIMENSIONS ARE IN INCHES UNLESS OTHERWISE NOTED. † Also Available for M12 Bolts ‡ Also Available for M14 Bolts

© Copyright MAIN Mfg. 2017