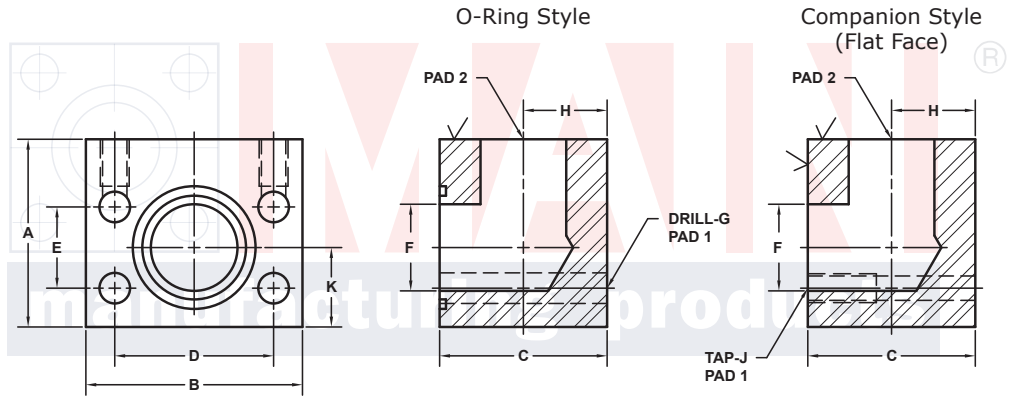
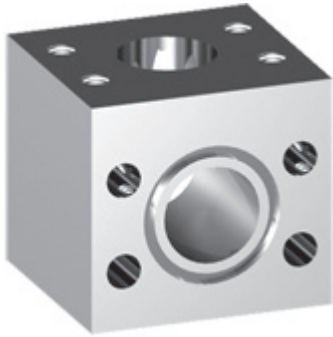


FLANGED ELBOW FLANGES (Pg 1/2)

SAE J518 61 SERIES / ISO6162-1 PATTERN

PAD 1 SIZE	PAD 2 SIZE	PART NUMBER	A	B	C	D	E	F	Gmm		H	K	MOUNTING KIT®			WT
									Jmm				PART NO.	SCREW SIZE	O-RING	
1/2	1/2	1571-08M8-08M8	2.25	2.12	2.25	1.500	.688	.50	8.5	.78	.78		MKM	M8 x 70	210	2.8
		M8x1.25														
3/4	3/4	1181-12M-12M	2.50	2.62	2.25	1.875	.875	.75	10.5	1.03	1.03		MKM 576	M10 x 70	214	3.5
		M10x1.5														
3/4	1	1181-12M-16M	2.50	2.82	2.50	1.875	.875	.75	10.5	1.25	1.03		MKM 595	M10 x 80	214	4.3
		USE PART # 1182-16M-12M														
1	1	1181-16M-16M	2.50	2.82	2.50	2.062	1.031	1.00	10.5	1.16	1.09		MKM 577	M10 x 80	219	4.0
		M10x1.5														
1	1 1/4	1181-16M-20M†	3.00	3.25	3.00	2.062	1.031	1.00	10.5	1.44	1.09		MKM 3530	M10 x 90	219	7.0
		USE PART # 1182-20M†-16M														
1 1/4	1	1181-20M†-16M	3.25	3.19	3.25	2.312	1.188	1.25	10.5	1.38	1.38		MKM	M10 x	222	8.2
		M10x1.5														
1 1/4	1 1/4	1181-20M†-20M†	3.25	3.19	3.25	2.312	1.188	1.25	10.5	1.38	1.38		MKM	M10 x	222	7.9
		M10x1.5														
1 1/4	1 1/2	1181-20M†-24M‡	3.50	3.75	3.50	2.312	1.188	1.25	10.5	1.62	1.38		MKM	M10 x	222	11.0
		USE PART # 1182-24M†-20M†														
1 1/2	1 1/4	1181-24M†-20M†	4.00	3.75	3.00	2.750	1.406	1.50	13.0	1.50	1.38		MKM 3521	M12 x 100	225	10.7
		M12x1.75														
1 1/2	1 1/2	1181-24M†-24M‡	3.50	3.75	3.50	2.750	1.406	1.50	13.0	1.62	1.62		MKM 5549	M12 x 110	225	10.7
		M12x1.75														
1 1/2	2	1181-24M†-32M‡	4.00	4.00	4.00	2.750	1.406	1.50	13.0	1.91	1.62		MKM 4566	M12 x 120	225	14.6
		USE PART # 1182-32M†-24M‡														

MATERIAL:
Low Carbon Steel®



Model 1181 / 1183

Model 1182 / 1184

3181 TRI-PARK DR. GRAND BLANC, MI 48439 800-521-7918 810-953-1380 FAX 810-953-1385 INFO@MAINMFG.COM

SAE J518 62 SERIES / ISO6162-2 PATTERN

PAD 1 SIZE	PAD 2 SIZE	PART NUMBER	A	B	C	D	E	F	Gmm		H	K	MOUNTING KIT®			WT
									Jmm				PART NO.	SCREW SIZE	O-RING	
1/2	1/2	1183-08M8-08M8	2.00	2.22	2.00	1.594	.718	.50	8.5	.94	.81		MKM 575	M8 x 60	210	2.3
		M8x1.25														
3/4	1/2	1183-12M-08M	2.50	2.81	2.50	2.000	.937	.75	10.5	1.19	1.06		MKM 595	M10 x 80	214	4.5
		M10x1.5														
3/4	3/4	1183-12M-12M	2.50	2.81	2.50	2.000	.937	.75	10.5	1.19	1.06		MKM 595	M10 x 80	214	4.4
		M10x1.5														
1	3/4	1183-16M-12M	3.00	3.19	3.00	2.250	1.093	1.00	12.5	1.38	1.38		MKM 596	M10 x 100	219	7.3
		M12x1.75														
1	1	1183-16M-16M	3.00	3.19	3.00	2.250	1.093	1.00	12.5	1.38	1.38		MKM 596	M10 x 100	219	7.2
		M12x1.75														
1 1/4	1	1183-20M†-16M	3.50	3.75	3.00	2.625	1.250	1.25	13.0	110.5	1.50		MKM	M12 x	222	9.3
		M12x1.75														
1 1/4	1 1/4	1183-20M†-20M‡	3.50	3.75	3.50	2.625	1.250	1.25	13.0	1.62	110.5		MKM 5548	M12 x 110	222	10.8
		M12x1.75														
1 1/4	1 1/2	1183-20M†-24M	4.00	4.50	4.00	2.625	1.250	1.25	13.0	1.90	1.75		MKM 2560	M12 x 120	222	17.5
		USE PART # 1184-24M-20M‡														

① Order Separately

⑤ May Contain Lead

NOTE: DIMENSIONS ARE IN INCHES UNLESS OTHERWISE NOTED. † Also Available for M12 Bolts ‡ Also Available for M14 Bolts

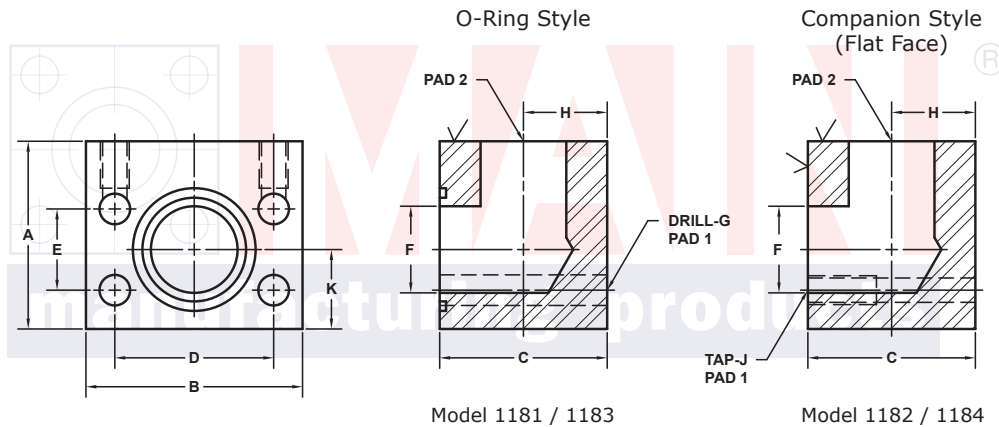
© Copyright MAIN Mfg. 2017

FLANGED ELBOW FLANGES (Pg 2/2)

SAE J518 61 SERIES / ISO6162-1 PATTERN

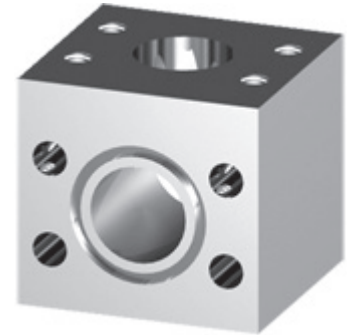
PAD 1 SIZE	PAD 2 SIZE	PART NUMBER	A	B	C	D	E	F	Gmm	H	K	MOUNTING KIT [®]			WT
									Jmm			PART NO.	SCREW SIZE	O-RING	
2	1 1/4	1181-32M±-20M±	4.50	4.00	3.00	3.062	1.688	1.94	13.0	1.44	1.62	MKM 4547	M12 x 90	228	12.3
		1182-32M±-20M±							M12x1.75			-----	---		
2	1 1/2	1181-32M±-24M±	4.00	4.00	4.00	3.062	1.688	1.94	13.0	1.91	1.91	MKM 3550	M12 x 120	228	14.5
		1182-32M±-24M±							M12x1.75			-----	---		
2	2	1181-32M±-32M±	4.00	4.00	4.00	3.062	1.688	1.94	13.0	1.91	1.91	MKM 3550	M12 x 120	228	13.9
		1182-32M±-32M±							M12x1.75			-----	---		
2 1/2 ^②	2	1181-40M±-32M±	4.50	4.50	4.50	3.500	2.000	2.44	13.0	2.14	2.25	MKM 4529	M12 x 130	232	19.8
		1182-40M±-32M±							M12x1.75			-----	---		
2 1/2 ^②	2 1/2	1181-40M±-40M±	4.50	4.50	4.50	3.500	2.000	2.44	13.0	2.14	2.25	MKM 4529	M12 x 130	232	18.8
		1182-40M±-40M±							M12x1.75			-----	---		
3 ^③	2	1181-48M-32M±	5.00	5.31	4.00	4.188	2.438	2.94	17.0	1.91	2.25	MKM	M16 x	237	22.1
		1182-48M-32M±							M16x2			-----	---		
3 ^③	2 1/2	1181-48M-40M±	5.50	5.31	5.50	4.188	2.438	2.94	17.0	2.58	2.75	MKM 594	M16 x 160	237	34.3
		1182-48M-40M±							M16x2			-----	---		
3 ^③	3	1181-48M-48M	5.50	5.31	5.50	4.188	2.438	2.94	17.0	2.58	2.75	MKM 594	M16 x 160	237	32.7
		1182-48M-48M							M16x2			-----	---		
3 1/2 ^④	3 1/2	1181-56M-56M	6.00	6.00	6.00	4.750	2.750	3.44	17.0	3.00	3.00	MKM 1589	M16 x 180	241	45.0
		1182-56M-56M							M16x2			-----	---		
4 ^④	4	1181-64M-64M	6.00	6.38	6.00	5.125	3.062	3.94	17.0	2.81	3.00	MKM 550	M16 x 180	245	43.0
		1182-64M-64M							M16x2			-----	---		
5 ^④	5	1181-80M-80M				6.000	3.625		17.0					253	
		1182-80M-80M							M16x2			-----	---		

MATERIAL:
Low Carbon Steel[®]



Model 1181 / 1183

Model 1182 / 1184



3181 TRI-PARK DR. GRAND BLANC, MI 48439 800-521-7918 810-953-1380 FAX 810-953-1385 INFO@MAINMFG.COM

SAE J518 62 SERIES / ISO6162-2 PATTERN

PAD 1 SIZE	PAD 2 SIZE	PART NUMBER	A	B	C	D	E	F	Gmm	H	K	MOUNTING KIT [®]			WT
									Jmm			PART NO.	SCREW SIZE	O-RING	
1 1/2	1 1/4	1183-24M-20M±	4.00	4.50	4.00	3.125	1.437	1.50	17.0	1.88	1.75	MKM 597	M16 x 130	225	17.4
		1184-24M-20M±							M16x2			-----	---		
1 1/2	1 1/2	1183-24M-24M	4.00	4.50	4.00	3.125	1.437	1.50	17.0	1.88	1.75	MKM 597	M16 x 130	225	16.9
		1184-24M-24M							M16x2			-----	---		
1 1/2	2	1183-24M-32M	4.50	5.25	5.00	3.125	1.437	1.50	17.0	2.50	1.75	MKM 3503	M16 x 6	225	29.0
		-----							USE PART # 1184-32M-24M			-----	---		
2	1 1/2	1183-32M-24M	5.00	5.25	5.00	3.812	1.750	1.94	21.0	2.25	2.50	MKM 5554	M20 x 160	228	31.8
		1184-32M-24M							M20x2.5			-----	---		
2	2	1183-32M-32M	5.00	5.25	5.00	3.812	1.750	1.94	21.0	2.25	2.50	MKM 5554	M20 x 160	228	31.5
		1184-32M-32M							M20x2.5			-----	---		
2 1/2	2	1183-40M-32M	6.00	7.00	5.00	4.875	2.312	2.44	25.5	2.50	2.50	MKM	M24 x	232	49.7
		1184-40M-32M							M24x3			-----	---		
2 1/2	2 1/2	1183-40M-40M	6.00	7.00	6.00	4.875	2.312	2.44	25.5	2.75	2.50	MKM 1596	M24 x 160	232	56.6
		1184-40M-40M							M24x3			-----	---		
3	3	1183-48M-48M	7.00	8.50	7.00	6.000	2.812	2.94	32.0	3.25	3.00	MKM	M30 x	237	92.4
		1184-48M-48M							M30x3.5			-----	---		

① Order Separately

② 2500 PSI Max

③ 2000 PSI Max

④ 500 PSI Max

⑤ May Contain Lead

NOTE: DIMENSIONS ARE IN INCHES UNLESS OTHERWISE NOTED. + Also Available for M12 Bolts ± Also Available for M14 Bolts