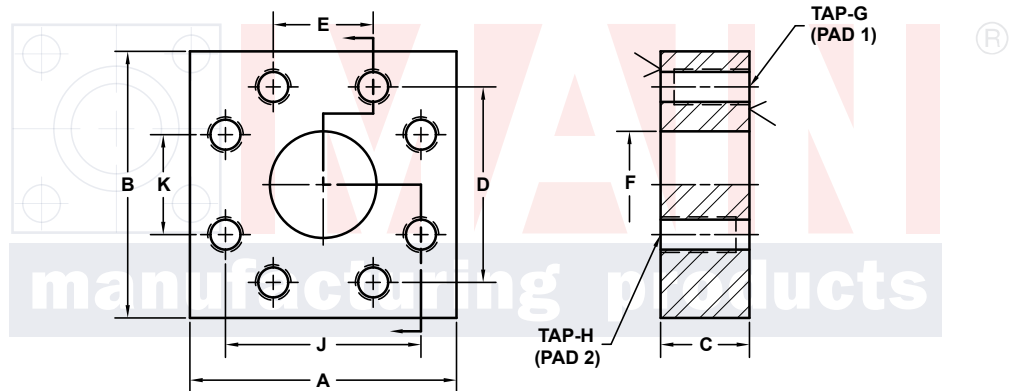
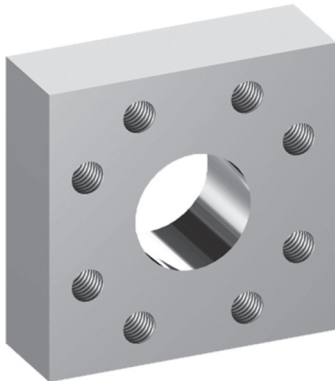


# FLANGE ADAPTERS

AVAILABLE AS PAD ROTATORS AND REDUCERS

SAE J518 / ISO6162 BOLT PATTERN				61 SERIES® TO 62 SERIES								
PAD 1 C61	PAD 2 C62	PART NUMBER	A	B	C	D	E	F	Gmm	Hmm	J	K
1/2	1/2	1316-08M8-08M8	2.25	2.25	1.00	1.500	.688	.50	M8x1.25	M8x1.25	1.594	.718
3/4	3/4	1316-12M-12M	2.81	2.75	1.00	1.875	.875	.75	M10x1.5	M10x1.5	2.000	.937
1	1	1316-16M-16M	3.19	3.00	1.25	2.062	1.031	1.00	M10x1.5	M12x1.75	2.250	1.093
1 1/4	1 1/4	1316-20M†-20M†	3.75	3.25	1.25	2.312	1.188	1.25	M10x1.5	M12x1.75	2.625	1.250
1 1/2	1 1/4	1316-24M†-20M†	3.75	3.75	1.75	2.750	1.406	1.50	M12x1.75	M12x1.75	2.625	1.250
1 1/2	1 1/2	1316-24M‡-24M	4.50	3.75	1.50	2.750	1.406	1.50	M12x1.75	M16x2	3.125	1.437
2	1 1/2	1316-32M‡-24M	4.50	4.00	1.50	3.062	1.688	1.94	M12x1.75	M16x2	3.125	1.437
2	2	1316-32M‡-32M	5.25	4.00	1.75	3.062	1.688	1.94	M12x1.75	M20x2.5	3.812	1.750
2 1/2 <sup>②</sup>	2 1/2	1316-40M†-40M	6.88	5.00	2.00	3.500	2.000	2.44	M12x1.75	M24x3	4.875	2.312
3 <sup>③</sup>	3	1316-48M-48M	8.50	6.00	2.50	4.188	2.438	2.94	M16x2	M30x3.5	6.000	2.812

MATERIAL:  
Low Carbon Steel<sup>⑤</sup>



3181 TRI-PARK DR. GRAND BLANC, MI 48439 800-521-7918 810-953-1380 FAX 810-953-1385 INFO@MAINMFG.COM

SAE J518 / ISO6162 BOLT PATTERN				62 SERIES TO 61 SERIES®								
PAD 1 C62	PAD 2 C61	PART NUMBER	A	B	C	D	E	F	Gmm	Hmm	J	K
3/4	1/2	1340-12M-08M	2.25	2.81	1.75	2.000	.937	.50	M10x1.5	M8x1.25	1.500	.688
1	3/4	1340-16M-12M	2.75	3.19	1.75	2.250	1.093	.75	M12x1.75	M10x1.5	1.875	.875
1 1/4	1	1340-20M†-16M	2.75	3.75	1.75	2.625	1.250	1.00	M12x1.75	M10x1.5	2.062	1.031
1 1/2	1 1/4	1340-24M-20M†	3.25	4.50	2.00	3.125	1.437	1.25	M16x2	M10x1.5	2.312	1.188
2	1 1/2	1340-32M-24M†	4.00	5.25	2.00	3.812	1.750	1.50	M20x2.5	M12x1.75	2.750	1.406
2 1/2	2	1340-40M-32M†	5.00	6.88	2.00	4.875	2.312	1.94	M24x3	M12x1.75	3.062	1.688
3	2 1/2 <sup>②</sup>	1340-48M-40M†	6.00	8.50	2.50	6.000	2.812	2.44	M30x3.5	M12x1.75	3.500	2.000

② 2500 PSI Max ③ 2000 PSI Max

⑤ May Contain Lead

⑥ **CAUTION:** Flange Adapter Pressure Rating CANNOT Exceed 61 Series Pad Connection.

NOTE: DIMENSIONS ARE IN INCHES UNLESS OTHERWISE NOTED. † Also Available for M12 Bolts ‡ Also Available for M14 Bolts

© Copyright MAIN Mfg. 2017