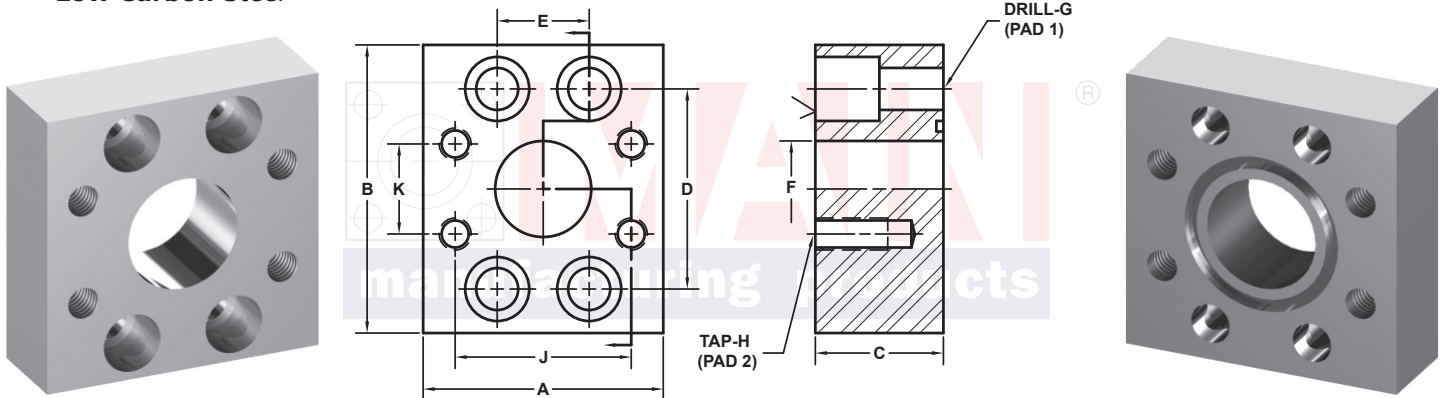


# FLANGE ADAPTERS

AVAILABLE AS PAD ROTATORS, REDUCERS AND INCREASERS (Not shown)

SAE J518 / ISO6162 BOLT PATTERN													62 SERIES TO 61 SERIES <sup>®</sup>				
PAD 1 C62	PAD 2 C61	PART NUMBER	A	B	C	D	E	F	Gmm	Hmm	J	K	MOUNTING KIT <sup>®</sup>				
													PART NO.	SCREW SIZE	O-RING		
1/2	1/2	1339-08M8-08M8	2.25	2.25	1.00	1.594	.718	.50	8.5	M8x1.25	1.500	.688	MKM 564	M8 x 25	210		
3/4	1/2	1339-12M-08M8	2.25	2.81	1.75	2.000	.937	.50	10.5	M8x1.25	1.500	.688	MKM 502	M10 x 40	214		
3/4	3/4	1339-12M-12M	2.75	2.81	1.00	2.000	.937	.75	10.5	M10x1.5	1.875	.875	MKM 5572	M10 x 25	214		
1	1/2	1339-16M-08M8	2.25	3.19	1.75	2.250	1.093	.50	12.5	M8x1.25	1.500	.688	MKM 513	M12 x 45	219		
1	3/4	1339-16M-12M	2.75	3.19	1.75	2.250	1.093	.75	12.5	M10x1.5	1.875	.875	MKM 513	M12 x 45	219		
1	1	1339-16M-16M	3.00	3.19	1.25	2.250	1.093	1.00	12.5	M10x1.5	2.062	1.031	MKM 569	M12 x 30	219		
1 1/4	3/4	1339-20M†-12M	2.75	3.75	1.75	2.625	1.250	.75	13.0	M10x1.5	1.875	.875	MKM 1527	M12 x 40	222		
1 1/4	1	1339-20M†-16M	2.75	3.75	1.75	2.625	1.250	1.00	13.0	M10x1.5	2.062	1.031	MKM 1527	M12 x 40	222		
1 1/4	1 1/4	1339-20M†-20M†	3.25	3.75	1.25	2.625	1.250	1.25	13.0	M10x1.5	2.312	1.188	MKM 5557	M12 x 30	222		
1 1/2	1	1339-24M-16M	3.25	4.50	1.75	3.125	1.437	1.00	17.0	M10x1.5	2.062	1.031	MKM 562	M16 x 45	225		
1 1/2	1 1/4	1339-24M-20M†	3.25	4.50	2.00	3.125	1.437	1.25	17.0	M10x1.5	2.312	1.188	MKM 562	M16 x 45	225		
1 1/2	1 1/2	1339-24M-24M†	3.75	4.50	1.50	3.125	1.437	1.50	17.0	M12x1.75	2.750	1.406	MKM 1531	M16 x 35	225		

MATERIAL:  
Low Carbon Steel<sup>®</sup>



NOTE: Model 1339, shown, is O-Ring Face by Flat Face. Model 1340, see page 64, is Flat Face by Flat Face.

3181 TRI-PARK DR. GRAND BLANC, MI 48439 800-521-7918 810-953-1380 FAX 810-953-1385 INFO@MAINMFG.COM

SAE J518 / ISO6162 BOLT PATTERN													62 SERIES TO 61 SERIES <sup>®</sup>				
PAD 1 C62	PAD 2 C61	PART NUMBER	A	B	C	D	E	F	Gmm	Hmm	J	K	MOUNTING KIT <sup>®</sup>				
													PART NO.	SCREW SIZE	O-RING		
2	1 1/4	1339-32M-20M†	4.00	5.25	2.00	3.812	1.750	1.25	21.0	M10x1.5	2.312	1.188	MKM	M20 x 50	228		
2	1 1/2	1339-32M-24M†	4.00	5.25	2.00	3.812	1.750	1.50	21.0	M12x1.75	2.750	1.406	MKM	M20 x 50	228		
2	2	1339-32M-32M†	4.00	5.25	1.75	3.812	1.750	1.94	21.0	M12x1.75	3.062	1.688	MKM 563	M20 x 45	228		
2 1/2	1 1/2	1339-40M-24M†	5.00	6.88	2.00	4.875	2.312	1.50	25.5	M12x1.75	2.750	1.406	MKM	M24 x 50	232		
2 1/2	2	1339-40M-32M†	5.00	6.88	2.00	4.875	2.312	1.94	25.5	M12x1.75	3.062	1.688	MKM	M24 x 50	232		
2 1/2	2 1/2 <sup>②</sup>	1339-40M-40M†	5.00	6.88	2.00	4.875	2.312	2.44	25.5	M12x1.75	3.500	2.000	MKM	M24 x 50	232		
3	2	1339-48M-32M†	6.00	8.50	2.50	6.000	2.812	1.94	32.0	M12x1.75	3.062	1.688	MKM 518	M30 x 110	237		
3	2 1/2 <sup>②</sup>	1339-48M-40M†	6.00	8.50	2.50	6.000	2.812	2.44	32.0	M12x1.75	3.500	2.000	MKM 518	M30 x 110	237		
3	3 <sup>③</sup>	1339-48M-48M	6.00	8.50	2.50	6.000	2.812	2.94	32.0	M16x2	4.188	2.438	MKM 1514	M30 x 70	237		

① Order Separately

② 2500 PSI Max

③ 2000 PSI Max

⑤ May Contain Lead

⑥ CAUTION: Flange Adapter Pressure Rating CANNOT Exceed 61 Series Pad Connection.

62 NOTE: DIMENSIONS ARE IN INCHES UNLESS OTHERWISE NOTED. † Also Available for M12 Bolts ‡ Also Available for M14 Bolts

© Copyright MAIN Mfg. 2017