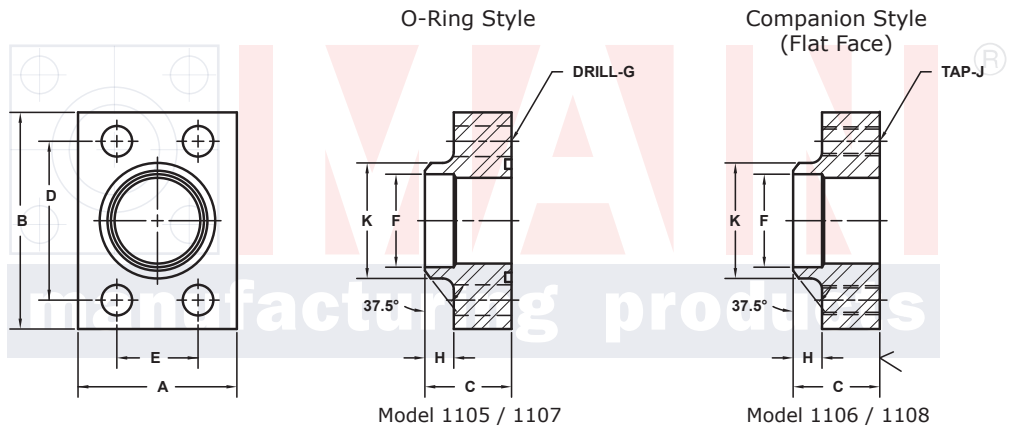


# BUTT WELD IN-LINE FLANGES (Pg 1/2)

For Schedule 40 Pipe ⑥

SAE BOLT PATTERN			61 SERIES												
FLANGE SIZE	PIPE SIZE	PART NUMBER	A	B	C	D	E	F	G	H	K	MOUNTING KIT®			WT
									J			PART NO.	SCREW SIZE	O-RING	
1/2	1/2	1105-08-08	1.50	2.12	1.25	1.500	.688	.62	.34	.38	.88	MK 512	5/16-18 x 1 1/2	210	.7
		1106-08-08							5/16-18						
3/4	1/2	1105-12-08	1.75	2.62	1.25	1.875	.875	.62	.41	.38	.88	MK 1525	3/8-16 x 1 1/2	214	1.0
		1106-12-08							3/8-16						
3/4	3/4	1105-12-12	1.75	2.62	1.25	1.875	.875	.82	.41	.38	1.12	MK 1525	3/8-16 x 1 1/2	214	1.0
		1106-12-12							3/8-16						
1	3/4	1105-16-12	2.00	2.82	1.25	2.062	1.031	.82	.41	.38	1.12	MK 1542	3/8-16 x 1 1/2	219	1.3
		1106-16-12							3/8-16						
1	1	1105-16-16	2.00	2.82	1.25	2.062	1.031	1.04	.41	.38	1.38	MK 1542	3/8-16 x 1 1/2	219	1.2
		1106-16-16							3/8-16						
1 1/4	1	1105-20-16	2.50	3.19	1.25	2.312	1.188	1.04	.47	.38	1.38	MK 1527	7/16-14 x 1 1/2	222	1.7
		1106-20-16							7/16-14						
1 1/4	1 1/4	1105-20-20	2.50	3.19	1.25	2.312	1.188	1.38	.47	.38	1.75	MK 1527	7/16-14 x 1 1/2	222	1.6
		1106-20-20							7/16-14						
1 1/4	1 1/2	-----	2.50	3.19	1.50	2.312	1.188	1.61	----	.50	2.00	-----	-----	---	2.0
		1106-20-24							7/16-14						
1 1/2	1 1/4	1105-24-20	2.75	3.75	1.50	2.750	1.406	1.38	.53	.50	1.75	MK 1547	1/2-13 x 1 3/4	225	2.6
		1106-24-20							1/2-13						
1 1/2	1 1/2	1105-24-24	2.75	3.75	1.50	2.750	1.406	1.61	.53	.50	2.00	MK 1547	1/2-13 x 1 3/4	225	2.3
		1106-24-24							1/2-13						
1 1/2	2	-----	3.50	3.75	2.25	2.750	1.406	2.06	----	.50	2.50	-----	-----	---	5.6
		1106-24-32							1/2-13						

MATERIAL:  
Low Carbon Steel



3181 TRI-PARK DR. GRAND BLANC, MI 48439 800-521-7918 810-953-1380 FAX 810-953-1385 INFO@MAINMFG.COM

SAE BOLT PATTERN			62 SERIES												
FLANGE SIZE	PIPE SIZE	PART NUMBER	A	B	C	D	E	F	G	H	K	MOUNTING KIT®			WT
									J			PART NO.	SCREW SIZE	O-RING	
1/2	1/2	1107-08-08	1.75	2.22	1.25	1.594	.718	.62	.34	.38	.88	MK 512	5/16-18 x 1 1/2	210	.8
		1108-08-08							5/16-18						
3/4	1/2	1107-12-08	2.00	2.81	1.25	2.000	.937	.62	.41	.38	.88	MK 1525	3/8-16 x 1 1/2	214	1.3
		1108-12-08							3/8-16						
3/4	3/4	1107-12-12	2.00	2.81	1.25	2.000	.937	.82	.41	.38	1.12	MK 1525	3/8-16 x 1 1/2	214	1.3
		1108-12-12							3/8-16						
1	3/4	1107-16-12	2.25	3.19	1.25	2.250	1.093	.82	.47	.38	1.12	MK 513	7/16-14 x 1 3/4	219	1.6
		1108-16-12							7/16-14						
1	1	1107-16-16	2.25	3.19	1.25	2.250	1.093	1.04	.47	.38	1.38	MK 513	7/16-14 x 1 3/4	219	1.5
		1108-16-16							7/16-14						
1 1/4	1	1107-20-16	2.75	3.75	1.25	2.625	1.250	1.04	.53	.38	1.38	MK 529	1/2-13 x 1 3/4	222	2.3
		1108-20-16							1/2-13						
1 1/4	1 1/4	1107-20-20	2.75	3.75	1.25	2.625	1.250	1.38	.53	.38	1.75	MK 529	1/2-13 x 1 3/4	222	2.1
		1108-20-20							1/2-13						
1 1/4	1 1/2	-----	3.00	3.75	1.50	2.625	1.250	1.61	----	.50	2.00	-----	-----	---	3.1
		1108-20-24							1/2-13						

① Order Separately

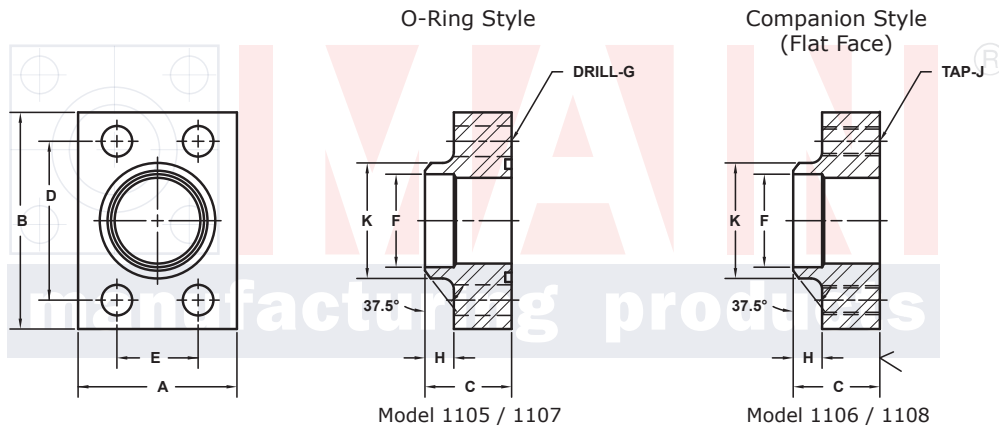
⑥ Other Pipe and Tube Sizes are Available

# BUTT WELD IN-LINE FLANGES (Pg 2/2)

For Schedule 40 Pipe ©

SAE BOLT PATTERN										61 SERIES					
FLANGE SIZE	PIPE SIZE	PART NUMBER	A	B	C	D	E	F	G J	H	K	MOUNTING KIT®			WT
												PART NO.	SCREW SIZE	O-RING	
2	1 1/4	1105-32-20	3.25	4.00	1.50	3.062	1.688	1.38	.53	.50	1.75	MK 582	1/2-13 x 1 3/4	228	3.3
		1106-32-20							1/2-13						
2	1 1/2	1105-32-24	3.25	4.00	1.50	3.062	1.688	1.61	.53	.50	2.00	MK 582	1/2-13 x 1 3/4	228	3.2
		1106-32-24							1/2-13						
2	2	1105-32-32	3.25	4.00	1.50	3.062	1.688	2.06	.53	.50	2.50	MK 582	1/2-13 x 1 3/4	228	2.8
		1106-32-32							1/2-13						
2 1/2 <sup>②</sup>	2	1105-40-32	4.00	4.50	1.75	3.500	2.000	2.06	.53	.50	2.50	MK 561	1/2-13 x 2	232	5.3
		1106-40-32							1/2-13						
2 1/2 <sup>②</sup>	2 1/2	1105-40-40	4.00	4.50	1.75	3.500	2.000	2.47	.53	.50	3.00	MK 561	1/2-13 x 2	232	4.8
		1106-40-40							1/2-13						
3 <sup>③</sup>	2 1/2	1105-48-40	4.50	5.31	2.00	4.188	2.438	2.47	.66	.50	3.00	MK 585	5/8-11 x 2 1/2	237	8.1
		1106-48-40							5/8-11						
3 <sup>③</sup>	3	1105-48-48	4.50	5.31	2.00	4.188	2.438	3.06	.66	.50	3.50	MK 585	5/8-11 x 2 1/2	237	7.2
		1106-48-48							5/8-11						
3 1/2 <sup>④</sup>	3	1105-56-48	5.00	6.00	1.50	4.750	2.750	3.06	.66	.50	3.50	MK 1571	5/8-11 x 2	241	6.6
		1106-56-48							5/8-11						
3 1/2 <sup>④</sup>	3 1/2	1105-56-56	5.00	6.00	1.50	4.750	2.750	3.54	.66	.50	4.00	MK 1571	5/8-11 x 2	241	5.9
		1106-56-56							5/8-11						
4 <sup>④</sup>	3	1105-64-48	5.50	6.38	1.50	5.125	3.062	3.06	.66	.50	3.50	MK 1572	5/8-11 x 2	245	8.1
		1106-64-48							5/8-11						
4 <sup>④</sup>	4	1105-64-64	5.50	6.38	1.50	5.125	3.062	4.02	.66	.50	4.50	MK 1572	5/8-11 x 2	245	6.7
		1106-64-64							5/8-11						

MATERIAL:  
Low Carbon Steel



3181 TRI-PARK DR. GRAND BLANC, MI 48439 800-521-7918 810-953-1380 FAX 810-953-1385 INFO@MAINMFG.COM

SAE BOLT PATTERN										62 SERIES					
FLANGE SIZE	PIPE SIZE	PART NUMBER	A	B	C	D	E	F	G J	H	K	MOUNTING KIT®			WT
												PART NO.	SCREW SIZE	O-RING	
1 1/2	1 1/4	1107-24-20	3.25	4.50	1.50	3.125	1.437	1.38	.66	.50	1.75	MK 562	5/8-11 x 2	225	3.5
		1108-24-20							5/8-11						
1 1/2	1 1/2	1107-24-24	3.25	4.50	1.50	3.125	1.437	1.61	.66	.50	2.00	MK 562	5/8-11 x 2	225	3.3
		1108-24-24							5/8-11						
1 1/2	2	-----	4.00	4.50	2.00	3.125	1.437	2.06	---	.50	2.50	-----	-----	---	6.8
		1108-24-32							5/8-11						
2	1 1/2	1107-32-24	4.00	5.25	1.75	3.812	1.750	1.61	.78	.50	2.00	MK 1548	3/4-10 x 2 1/2	228	6.4
		1108-32-24							3/4-10						
2	2	1107-32-32	4.00	5.25	1.75	3.812	1.750	2.06	.78	.50	2.50	MK 1548	3/4-10 x 2 1/2	228	5.9
		1108-32-32							3/4-10						
2 1/2	2	1107-40-32	5.00	6.88	2.00	4.875	2.312	2.06	.94	.50	2.50	MK 1575	7/8-9 x 2 3/4	232	12.8
		1108-40-32							7/8-9						
2 1/2	2 1/2	1107-40-40	5.00	6.88	2.00	4.875	2.312	2.47	.94	.50	3.00	MK 1575	7/8-9 x 2 3/4	232	12.0
		1108-40-40							7/8-9						
3	3	1107-48-48	6.00	8.50	2.50	6.000	2.812	3.06	1.19	.50	3.50	MK 1776	1 1/8-7 x 4	237	23.3
		1108-48-48							1 1/8-7						

① Order Separately    ② 2500 PSI Max    ③ 2000 PSI Max    ④ 500 PSI Max  
 © Other Pipe and Tube Sizes are Available