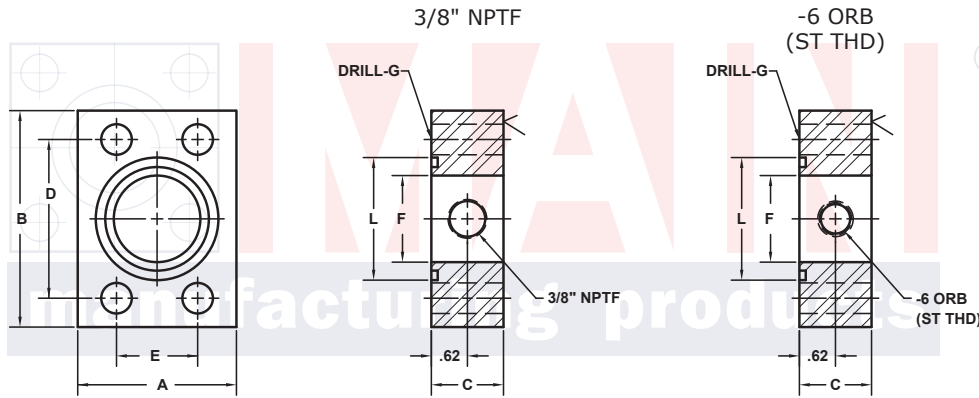


# GAUGE PORT ADAPTERS

3/8" GAUGE PORTS

SAE BOLT PATTERN			61 SERIES									
FLANGE SIZE	PIPE SIZE	PART NUMBER	A	B	C	D	E	F	G	L	O-RING <sup>①</sup>	WT
1/2	NA	1291-08-08	1.50	2.12	1.25	1.500	.688	.50	.34	1.000	210	1.0
		1293-08-08										
3/4	NA	1291-12-12	1.75	2.62	1.25	1.875	.875	.75	.41	1.250	214	1.2
		1293-12-12										
1	NA	1291-16-16	2.00	2.82	1.25	2.062	1.031	1.00	.41	1.562	219	1.5
		1293-16-16										
1 1/4	NA	1291-20-20	2.50	3.19	1.25	2.312	1.188	1.25	.47	1.750	222	2.1
		1293-20-20										
1 1/2	NA	1291-24-24	2.75	3.75	1.25	2.750	1.406	1.50	.53	2.125	225	2.6
		1293-24-24										
2	NA	1291-32-32	3.25	4.00	1.25	3.062	1.688	1.94	.53	2.500	228	3.2
		1293-32-32										
2 1/2 <sup>②</sup>	NA	1291-40-40	4.00	4.50	1.25	3.500	2.000	2.44	.53	3.000	232	4.3
		1293-40-40										
3 <sup>③</sup>	NA	1291-48-48	4.50	5.31	1.25	4.188	2.438	2.94	.66	3.625	237	5.5
		1293-48-48										

MATERIAL:  
Low Carbon Steel<sup>®</sup>



Model 1291 / 1292

Model 1293 / 1294



3181 TRI-PARK DR. GRAND BLANC, MI 48439 800-521-7918 810-953-1380 FAX 810-953-1385 INFO@MAINMFG.COM

SAE BOLT PATTERN			62 SERIES									
FLANGE SIZE	PIPE SIZE	PART NUMBER	A	B	C	D	E	F	G	L	O-RING <sup>①</sup>	WT
1/2	NA	1292-08-08	1.75	2.22	1.25	1.594	.718	.50	.34	1.000	210	1.2
		1294-08-08										
3/4	NA	1292-12-12	2.00	2.81	1.25	2.000	.937	.75	.41	1.250	214	1.6
		1294-12-12										
1	NA	1292-16-16	2.25	3.19	1.25	2.250	1.093	1.00	.47	1.562	219	1.9
		1294-16-16										
1 1/4	NA	1292-20-20	2.75	3.75	1.25	2.625	1.250	1.25	.53	1.750	222	2.8
		1294-20-20										
1 1/2	NA	1292-24-24	3.25	4.50	1.25	3.125	1.437	1.50	.66	2.125	225	4.0
		1294-24-24										
2	NA	1292-32-32	4.00	5.25	1.25	3.812	1.750	1.94	.78	2.500	228	5.6
		1294-32-32										

① Includes Buna-N O-Ring ② 2500 PSI Max ③ 2000 PSI Max

⑤ May Contain Lead