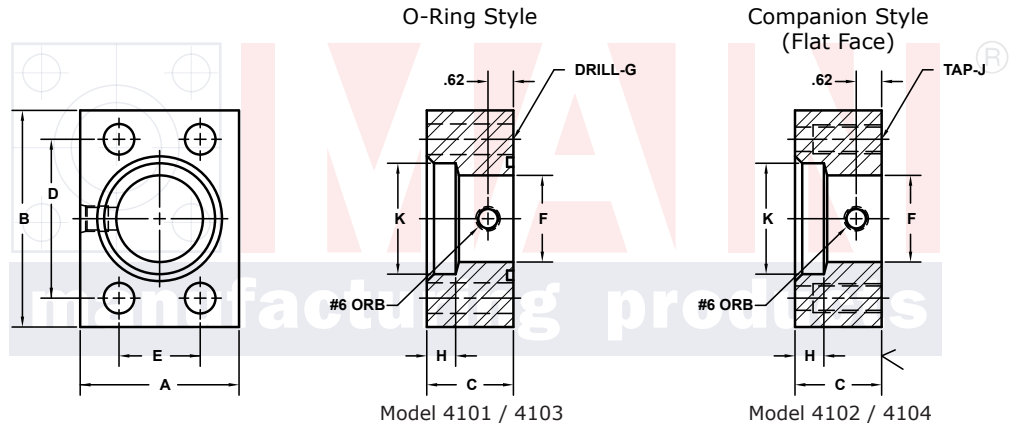
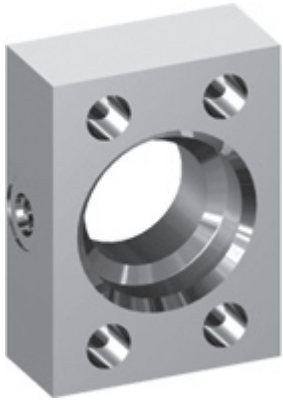


# SOCKET WELD PIPE IN-LINE FLANGES (Pg 1/2)

WITH 9/16-18 (-6) SAE GAUGE PORT ©

SAE BOLT PATTERN			61 SERIES												
FLANGE SIZE	PIPE SIZE	PART NUMBER	A	B	C	D	E	F	G	H	K	MOUNTING KIT®			WT
									J			PART NO.	SCREW SIZE	O-RING	
1/2	1/2	4101-08-08	1.50	2.12	1.50	1.500	.688	.50	.34	.38	.860	MK 541	5/16-18 x 2	210	1.0
		4102-08-08							5/16-18						
3/4	1/2	4101-12-08	1.75	2.62	1.50	1.875	.875	.50	.41	.38	.860	MK 2584	3/8-16 x 2 1/4	214	1.5
		4102-12-08							3/8-16						
3/4	3/4	4101-12-12	1.75	2.62	1.50	1.875	.875	.75	.41	.50	1.070	MK 2584	3/8-16 x 2 1/4	214	1.4
		4102-12-12							3/8-16						
1	3/4	4101-16-12	2.00	2.82	1.50	2.062	1.031	.75	.41	.50	1.070	MK 521	3/8-16 x 2 1/4	219	2.0
		4102-16-12							3/8-16						
1	1	4101-16-16	2.00	2.82	1.50	2.062	1.031	1.00	.41	.50	1.335	MK 521	3/8-16 x 2 1/4	219	1.9
		4102-16-16							3/8-16						
1 1/4	1	4101-20-16	2.50	3.19	1.50	2.312	1.188	1.00	.47	.50	1.335	MK 522	7/16-14 x 2 1/4	222	2.4
		4102-20-16							7/16-14						
1 1/4	1 1/4	4101-20-20	2.50	3.19	1.50	2.312	1.188	1.25	.47	.50	1.680	MK 522	7/16-14 x 2 1/4	222	2.3
		4102-20-20							7/16-14						
1 1/4	1 1/2	-----	3.00	3.19	2.50	2.312	1.188	1.25	---	.50	1.920	-----	-----	---	5.3
		4102-20-24							7/16-14						
1 1/2	1 1/4	4101-24-20	2.75	3.75	1.50	2.750	1.406	1.25	.53	.50	1.680	MK 1503	1/2-13 x 2 1/4	225	3.3
		4102-24-20							1/2-13						
1 1/2	1 1/2	4101-24-24	2.75	3.75	1.50	2.750	1.406	1.50	.53	.50	1.920	MK 1503	1/2-13 x 2 1/4	225	3.0
		4102-24-24							1/2-13						
1 1/2	2	-----	3.50	3.75	2.25	2.750	1.406	1.50	---	.50	2.411	-----	-----	---	3.1
		4102-24-32							1/2-13						

MATERIAL:  
Low Carbon Steel



3181 TRI-PARK DR. GRAND BLANC, MI 48439 800-521-7918 810-953-1380 FAX 810-953-1385 INFO@MAINMFG.COM

SAE BOLT PATTERN			62 SERIES												
FLANGE SIZE	PIPE SIZE	PART NUMBER	A	B	C	D	E	F	G	H	K	MOUNTING KIT®			WT
									J			PART NO.	SCREW SIZE	O-RING	
1/2	1/2	4103-08-08	1.75	2.22	1.50	1.594	.718	.50	.34	.50	.860	MK 541	5/16-18 x 2	210	1.3
		4104-08-08							5/16-18						
3/4	1/2	4103-12-08	2.00	2.81	1.50	2.000	.937	.50	.41	.50	.860	MK 2584	3/8-16 x 2 1/4	214	1.9
		4104-12-08							3/8-16						
3/4	3/4	4103-12-12	2.00	2.81	1.50	2.000	.937	.75	.41	.50	1.070	MK 2584	3/8-16 x 2 1/4	214	1.8
		4104-12-12							3/8-16						
1	3/4	4103-16-12	2.25	3.19	1.50	2.250	1.093	.75	.47	.50	1.070	MK 525	7/16-14 x 2 1/4	219	2.5
		4104-16-12							7/16-14						
1	1	4103-16-16	2.25	3.19	1.50	2.250	1.093	1.00	.47	.50	1.335	MK 525	7/16-14 x 2 1/4	219	2.3
		4104-16-16							7/16-14						
1 1/4	1	4103-20-16	2.75	3.75	1.50	2.625	1.250	1.00	.53	.50	1.335	MK 526	1/2-13 x 2 1/4	222	3.5
		4104-20-16							1/2-13						
1 1/4	1 1/4	4103-20-20	2.75	3.75	1.50	2.625	1.250	1.25	.53	.50	1.680	MK 526	1/2-13 x 2 1/4	222	3.3
		4104-20-20							1/2-13						
1 1/4	1 1/2	-----	3.00	3.75	2.00	2.625	1.250	1.25	---	.50	1.920	-----	-----	---	5.0
		4104-20-24							1/2-13						

① Order Separately

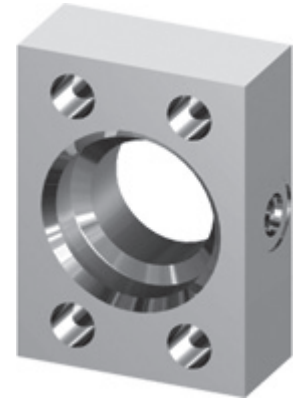
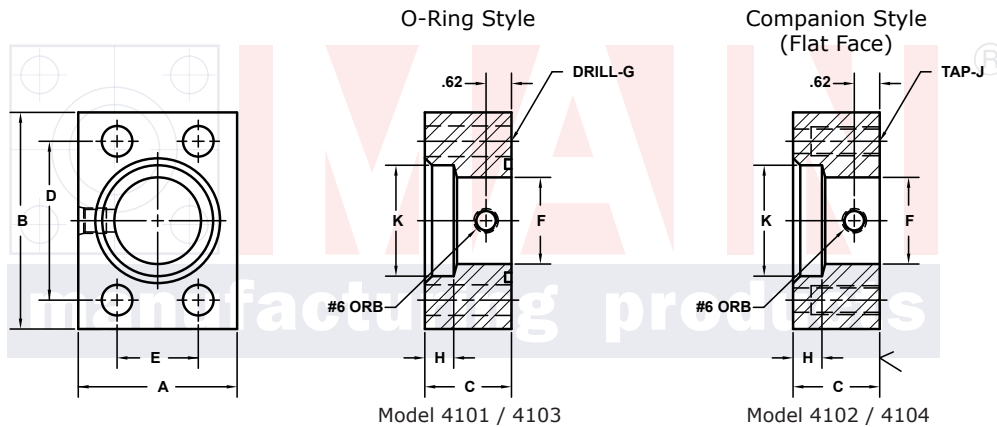
© Also available with 1/4" NPTF or 7/16-20 (-4) SAE GAUGE PORT

# SOCKET WELD PIPE IN-LINE FLANGES (Pg 2/2)

WITH 9/16-18 (-6) SAE GAUGE PORT ⑥

SAE BOLT PATTERN										61 SERIES					
FLANGE SIZE	PIPE SIZE	PART NUMBER	A	B	C	D	E	F	G J	H	K	MOUNTING KIT①			WT
												PART NO.	SCREW SIZE	O-RING	
2	1 1/4	4101-32-20	3.25	4.00	1.75	3.062	1.688	1.25	.53	.50	1.680	MK 524	1/2-13 x 2 1/2	228	5.0
		4102-32-20							1/2-13						
2	1 1/2	4101-32-24	3.25	4.00	1.75	3.062	1.688	1.50	.53	.50	1.920	MK 524	1/2-13 x 2 1/2	228	4.8
		4102-32-24							1/2-13						
2	2	4101-32-32	3.25	4.00	1.75	3.062	1.688	1.94	.53	.62	2.411	MK 524	1/2-13 x 2 1/2	228	4.1
		4102-32-32							1/2-13						
2 1/2 <sup>②</sup>	2	4101-40-32	4.00	4.50	1.75	3.500	2.000	1.94	.53	.62	2.411	MK 507	1/2-13 x 2 1/2	232	6.7
		4102-40-32							1/2-13						
2 1/2 <sup>②</sup>	2 1/2	4101-40-40	4.00	4.50	1.75	3.500	2.000	2.44	.53	.75	2.911	MK 507	1/2-13 x 2 1/2	232	5.6
		4102-40-40							1/2-13						
3 <sup>③</sup>	2 1/2	4101-48-40	4.50	5.31	2.00	4.188	2.438	2.44	.66	.75	2.911	MK 508	5/8-11 x 3	237	9.6
		4102-48-40							5/8-11						
3 <sup>③</sup>	3	4101-48-48	4.50	5.31	2.00	4.188	2.438	2.94	.66	.75	3.540	MK 508	5/8-11 x 3	237	8.1
		4102-48-48							5/8-11						
3 1/2 <sup>④</sup>	3	4101-56-48	5.00	6.00	1.75	4.750	2.750	2.94	.66	.75	3.540	MK	5/8-11 x 2 3/4	241	9.5
		4102-56-48							5/8-11						
3 1/2 <sup>④</sup>	3 1/2	4101-56-56	5.00	6.00	1.75	4.750	2.750	3.44	.66	.75	4.045	MK	5/8-11 x 2 3/4	241	8.6
		4102-56-56							5/8-11						
4 <sup>④</sup>	4	4101-64-64	5.50	6.38	1.75	5.125	3.062	3.94	.66	.75	4.550	MK	5/8-11 x 2 3/4	245	9.6
		4102-64-64							5/8-11						
5 <sup>④</sup>	5	4101-80-80	7.00	7.25	2.00	6.000	3.625	4.94	.66	.75	5.635	MK 511	5/8-11 x 3	253	15.6
		4102-80-80							5/8-11						

MATERIAL:  
Low Carbon Steel



3181 TRI-PARK DR. GRAND BLANC, MI 48439 800-521-7918 810-953-1380 FAX 810-953-1385 INFO@MAINMFG.COM

SAE BOLT PATTERN										62 SERIES					
FLANGE SIZE	PIPE SIZE	PART NUMBER	A	B	C	D	E	F	G J	H	K	MOUNTING KIT①			WT
												PART NO.	SCREW SIZE	O-RING	
1 1/2	1 1/4	4103-24-20	3.25	4.50	1.50	3.125	1.437	1.25	.66	.50	1.680	MK 515	5/8-11 x 2 1/2	225	5.0
		4104-24-20							5/8-11						
1 1/2	1 1/2	4103-24-24	3.25	4.50	1.50	3.125	1.437	1.50	.66	.50	1.920	MK 515	5/8-11 x 2 1/2	225	4.6
		4104-24-24							5/8-11						
1 1/2	2	-----	4.00	4.50	3.00	3.125	1.437	1.50	---	.62	2.411	-----	-----	---	12.5
		4104-24-32							5/8-11						
2	1 1/2	4103-32-24	4.00	5.25	1.75	3.812	1.750	1.50	.78	.50	1.920	MK 516	3/4-10 x 3	228	8.3
		4104-32-24							3/4-10						
2	2	4103-32-32	4.00	5.25	1.75	3.812	1.750	1.94	.78	.62	2.411	MK 516	3/4-10 x 3	228	7.6
		4104-32-32							3/4-10						
2 1/2	2	4103-40-32	5.00	6.88	2.00	4.875	2.312	1.94	.94	.62	2.411	MK 517	7/8-9 x 3 1/2	232	15.3
		4104-40-32							7/8-9						
2 1/2	2 1/2	4103-40-40	5.00	6.88	2.00	4.875	2.312	2.44	.94	.62	2.911	MK 517	7/8-9 x 3 1/2	232	14.8
		4104-40-40							7/8-9						
3	3	4103-48-48	6.00	8.50	2.50	6.000	2.812	2.94	1.19	.62	3.540	MK 718	1 1/8-7 x 4 1/2	237	27.4
		4104-48-48							1 1/8-7						

① Order Separately    ② 2500 PSI Max    ③ 2000 PSI Max    ④ 500 PSI Max  
⑥ Also available with 1/4" NPTF or 7/16-20 (-4) SAE GAUGE PORT